

TITLE	SHEET	OF	SIZE	CODE	NUMBER	REV
DRAWING DIRECTORY H780	2	4	B	DD	H780-0	N

CUSTOMER PRINT SET		ELECTRICAL (SECTION 1)					CUSTOMER PRINT SET		MECHANICAL (SECTION 2)							
1	MFG SET	FIND NO.	DRAWING NO.	REV	NO OF SHT	DESCRIPTION	OPTION NO./FILE DATE	1	MFG SET	FIND NO.	DRAWING NO.	REV	NO OF SHT	DESCRIPTION	OPTION NO./FILE DATE	
X		1	E-UA-H780-0-0	M	2	POWER SUPPLY ASSY H780		X		1	E-UA-H780-0-0	U	2	POWER SUPPLY ASSY H780		
X			C-PL-H780-0-0	M	2	POWER SUPPLY ASSY H780		X			D-IA-7011411-0-0		1	CABLE, LOGIC		
								X			D-IA-7011584-0-0		1	CABLE, DC OUTPUT		
								X			D-IA-7011733-0-0		1	HARNESS, FAN		
								X			D-IA-7011658-0-0		1	HARNESS, INPUT		
											C-IA-7011667-0-0		1	TRANS ASSY		
											B-MD-7414712-0-0		1	SHIELD, UL		
											B-IA-7414691-0-0		1	JUMPER		
X		5	D-CS-5411776-0-1		5	CIRCUIT SCHEMATIC H780 P.S.		X			C-IA-7011668-0-0		1	FILTER		
											D-IA-7008612-0-0		1	CABLE, KEYBOARD		
											C-PL-H780-0-0	J	2	POWER SUPPLY ASSY H780		
X		7	D-CS-5411808-0-1		2	CIRCUIT SCHEMATIC LIGHT & SW BD.										
X		8	D-CS-5412143-0-1		2	CIRCUIT SCHEM SLAVE BD.				2	E-IA-7011283-0-0		1	CHASSIS ASSY		
											B-MD-7414149-0-0		1	ROD, CENTER SUPPORT		
											B-MD-7414148-0-0		1	ROD, MAIN SUPPORT, FRONT		
											B-MD-7414147-0-0		1	ROD, CAP SUPPORT		
											B-MD-7414100-0-0		1	SUPPORT, FAN		
											B-MD-7414099-0-0		1	ROD, SIDE SUPPORT		
											B-MD-7414146-0-0		1	SUPPORT, FAN & CONTROL PANEL		
											B-MD-7414145-0-0		1	SUPPORT, CONN. PANEL		
											B-MD-7414098-0-0		1	GUIDE, CARD REAR		
											B-MD-7414097-0-0		1	GUIDE, CARD MIDDLE		
											B-MD-7414096-0-0		1	ROD, GUIDE		
											B-MD-7414095-0-0		1	ROD, BOTTOM SIDE, REAR		
											B-IA-7414205-0-0		1	BRKT. REAR FAN P.S. SUPPORT		
											B-MD-7414094-0-0		1	ROD, MIDDLE GUIDE		
											C-MD-7414093-0-0		1	BRKT. INPUT		
											B-MD-7414092-0-0		1	ROD, MAIN SUPPORT, MDI. & REAR		
											B-IA-7414204-0-0		1	SUPPORT STRAP, CAP, REAR		
											B-MD-7414091-0-0		1	SUPPORT STRAP, CAP, FRONT		
											B-IA-7414710-0-0		1	BRKT, FILTER		
											3	D-AD-7011569-0-0		1	REGULATOR ASSY	

CUSTOMER PRINT SET CODES  
X = PRINT OF DOCUMENT INCLUDED IN PRINT SET  
C = INCLUDES ALL PRINTS INDICATED ON DOCUMENT  
S = CONFIDENTIAL AUTHORIZED SIGNATURE REQUIRED

TITLE

DRAWING DIRECTORY H780

SHEET 3 OF 4

SIZE CODE  
B DD

NUMBER  
H780-0

REV  
N

CUSTOMER PRINT SET		MECHANICAL (SECTION 2)					CUSTOMER PRINT SET		MECHANICAL (SECTION 2)						
	MFG. SET	FIND NO.	DRAWING NO.	REV	NO OF SHT	DESCRIPTION	OPTION NO./FILE DATE		MFG. SET	FIND NO.	DRAWING NO.	REV	NO OF SHT	DESCRIPTION	OPTION NO./FILE DATE
		4	C-IA-7011656-0-0		1	FRAME ASSY				10	A-SP-3700263-0-0	-	2	PACKAGING INSTRUCTIONS	
			D-MD-7414504-0-0		1	FRAME MODIFICATION					C-MD-7417466-0-0	-	1	SHIPPING BRKT	
			D-MD-7411744-0-0		1	WINDOW					A-PS-9905044-0-0	-	1	CUSHION SHIPPING	
			C-IA-7008612-0-0		1	CABLE, (LOGIC BD. TO SW BD.)					A-PS-9905966-0-0	-	1	CARTON OUTER	
											A-PS-9905967-0-0	-	1	LAMINATED BUILDUP	
		5	D-CS-5411776-0-1		5	CIRCUIT SCHEMATIC H78Ø P.S.				11	A-SP-H78Ø-Ø-2		15	PRODUCT SPECIFICATION	
			D-AH-5411776-0-5			ASSY DRILL HOLE LAYOUT									
			B-MH-5411776-0-6			MODULE ECO HISTORY									
			5011775			ETCH CIRCUIT BOARD									
		6	C-AD-7011583-0-0		1	BRKT. & CHOKE ASSY									
			E-IA-7414323-0-0		1	BRKT., CHOKE SUPPORT									
		7	D-CS-5411808-0-1		2	CIRCUIT SCHEM. LIGHT & SW BD.									
			K-CO-5411808-0-4			X-Y COORDINATE HOLE LOCATION									
			D-AH-5411808-0-5			ASSY/DRILLING HOLE LAYOUT									
			B-MH-5411808-0-6			MODULE ECO HISTORY									
			5011807			ETCH CIRCUIT BOARD									
		8	D-CS-5412143-0-1		2	CIRCUIT SCHEMATIC BALL-ME, MF BD.									
			K-CO-5412143-0-4			X-Y COORD. HOLE LOC.									
			D-AH-5412143-0-5			ASSY. DRILL. HOLE LAYOUT									
			B-MH-5412143-0-6			MODULE ECO HISTORY									
			5012142			ETCH CIRCUIT BOARD									
		9	C-MD-7414416-0-0		1	SHIELD, POWER SUPPLY									
			A-SS-7414416-0-1		1	SILK SCREEN 115V									
			A-SS-7414416-0-2		1	SILK SCREEN 230V									
CUSTOMER PRINT SET CODES		X = PRINT OF DOCUMENT INCLUDED IN PRINT SET C = INCLUDES ALL PRINTS INDICATED ON DOCUMENT S = CONFIDENTIAL AUTHORIZED SIGNATURE REQUIRED					TITLE	DRAWING DIRECTORY H78Ø		SIZE CODE	SHEET 4 OF 4		NUMBER	N	







THIS DRAWING AND SPECIFICATIONS, HEREIN ARE THE PROPERTY OF DIGITAL EQUIPMENT CORPORATION AND SHALL NOT BE REPRODUCED OR COPIED OR USED IN WHOLE OR IN PART AS THE BASIS FOR THE MANUFACTURE OR SALE OF ITEMS WITHOUT WRITTEN PERMISSION. COPYRIGHT © 1976, DIGITAL EQUIPMENT CORPORATION

Item No.	Dwg./Part No.	Description	H780- <i>n</i>																					
			H780-A	H780-B	H780-C	H780-E	H780-F	H780-D	H780-H	H780-J	H780-K	H780-L	H780-M	H780-N										
44	B-IA-7415282-0-0	Jumper, Fuse -SW	1	1	1	1	1	1	1	1	1	1	1	1	1	1	1							
45	B-IA-7415281-0-0	Jumper, TB-SW	1	1	-	1	1	-	-	1	-	1	-	1	1	1	1							
46	B-IA-7415283-0-0	Jumper, TB-Fuse	1	1	-	1	1	-	-	1	-	1	-	1	1	1	1							
47	D-AD-7011569-1-0	Regulator Assy	-	-	-	1	1	-	-	-	-	1	1	-	-	-	-							
48	D-AD-7011569-2-0	Regulator Assy	-	-	-	1	-	-	1	-	-	-	-	1	1	-	-							
49	C-IA-7414416-3	Shield, PS, H780F	-	-	-	-	-	1	-	-	-	-	-	-	-	-	-							
50	C-IA-7414416-2	Shield, PS, H780E	-	-	-	-	1	-	-	-	-	-	-	-	-	-	-							
51	C-IA-7414416-4	Shield, PS, H780C	-	-	-	1	-	-	-	-	-	-	-	-	-	-	-							
52	C-IA-7414416-5	Shield, PS, H780D	-	-	-	-	-	-	1	-	-	-	-	-	-	-	-							
53	C-IA-7414416-6	Shield, PS, H780H	-	-	-	-	-	-	-	1	-	-	-	-	-	-	-							
54	C-IA-7414416-7	Shield, PS, H780J	-	-	-	-	-	-	-	-	1	-	-	-	-	-	-							
55	C-IA-7414416-8	Shield, PS, H780K	-	-	-	-	-	-	-	-	-	1	-	-	-	-	-							
56	C-IA-7414416-9	Shield, PS, H780L	-	-	-	-	-	-	-	-	-	-	1	-	-	-	-							
57	A-SP-3700263-01	Packaging Instructions	-	-	-	1	-	-	1	1	1	1	1	1	1	1	1							
58	7008612-0M	Cable, Console	REF	REF	REF	REF	REF	REF	REF	REF	REF	REF	REF	REF	REF	REF	REF							
59	C-IA-7414416-10	Shield, PS, H780M	-	-	-	-	-	-	-	-	-	-	-	1	-	-	-							
60	9007035	Grommet, Caterpillar 2.75 in	A/R	A/R	A/R	A/R	A/R	A/R	A/R	A/R	A/R	A/R	A/R	A/R	A/R	A/R	A/R							
61	9006636-00	Washer, Int. .380 OD	2	2	2	2	2	2	2	2	2	2	2	2	2	2	2							
62	9006071-01	Scr., Pan Phil 10-32 x 3/8	2	2	2	2	2	2	2	2	2	2	2	2	2	2	2							
63	9006036-01	Scr., Pan Hd. PHIL. 8-32 X 5/16	-	-	-	2	-	-	2	2	2	2	2	2	2	2	2							
64	9009255	Label, POWER SUPPLY	1	1	1	1	1	1	1	1	1	1	1	1	1	1	1							
65	4901230	Perma Bond Adhesive 240	A/R	A/R	A/R	A/R	A/R	A/R	A/R	A/R	A/R	A/R	A/R	A/R	A/R	A/R	A/R							
66	C-IA-7414416-0-11	Shield, PS, H780N	-	-	-	-	-	-	-	-	-	-	-	-	1	-	-							
67	9006024-1	SCREW, PHL. PAN HD. 6-32 X.50	-	1	1	-	1	1	-	-	-	-	-	-	-	-	-							
68	3613211-01	Decal, Preprinted, CSA	1	1	1	1	1	1	1	1	1	1	1	1	1	1	1							
ALTERNATE PARTS LIST																								
4A	C-IA-7414416-12	SHIELD, P.S. 115V	1																					
28A	C-IA-7414416-13	SHIELD, P.S. 230V	1																					
49A	C-IA-7414416-13	SHIELD, P.S. 230V						1																
50A	C-IA-7414416-12	SHIELD, P.S. 115V					1																	
51A	C-IA-7414416-12	SHIELD, P.S. 115V				1																		
52A	C-IA-7414416-13	SHIELD, P.S. 230V						1																
53A	C-IA-7414416-12	SHIELD, P.S. 115V							1															
54A	C-IA-7414416-13	SHIELD, P.S. 230V								1														
55A	C-IA-7414416-12	SHIELD, P.S. 115V									1													
56A	C-IA-7414416-13	SHIELD, P.S. 230V										1												
59A	C-IA-7414416-12	SHIELD, P.S. 115V											1											
66A	C-IA-7414416-13	SHIELD, P.S. 230V												1										

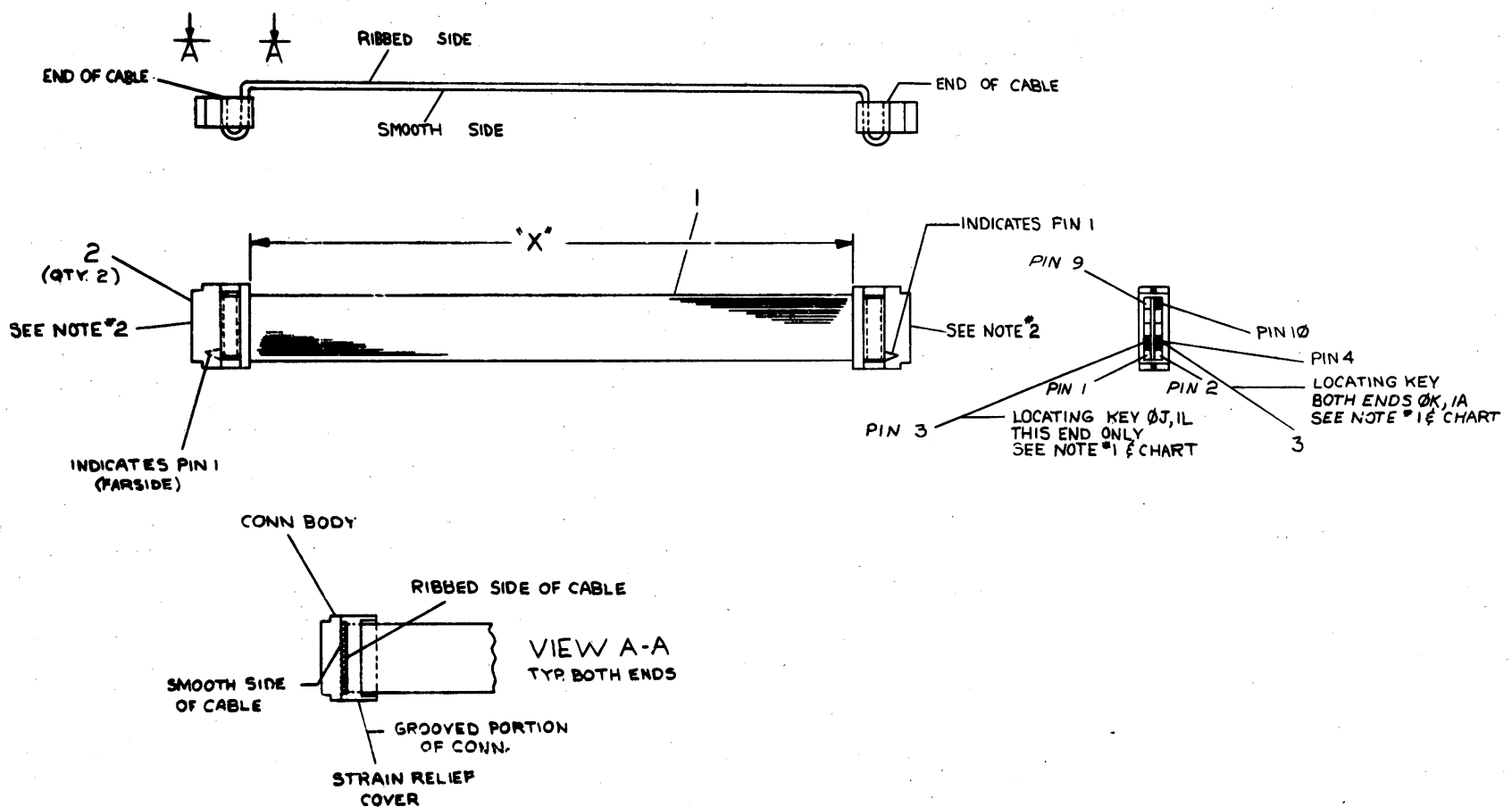
REV.	
CHANGE NO.	
CHK.	

DRN. Baptiste	6/27/75	FIRST USED ON	11/03	<b>digital</b>
CHK'Dp. Healy	9/3/75	TITLE	Power Supply Assy H780	
ENG.R. Martel	9/17/75			
PROJ. ENG. M. Rouleau	9/17/75			
PROD.D. DeRome	9/17/75			
NEXT HIGHER ASSY.				
E-UA-Ball-M-0	SIZE	CODE	NUMBER	REV.
SCALE None	C	PL	H780-0-0	P
SHEET 2	OF 2	DIST.		

FOR CHANGES AND REVISIONS, REFER TO THE REVISIONS AND REVISIONS SECTION OF THE DRAWING. ALL DIMENSIONS ARE IN INCHES UNLESS OTHERWISE SPECIFIED. DIMENSIONS ARE TO CENTER UNLESS OTHERWISE SPECIFIED.

LEGEND			
NUMBER	DIM. X VARIATION	USED ON	KEY PIN
7011411-0J	8 IN ± .5 IN.	BA11-L OR K	10 ONE END
7011411-0K	9 IN ± .5 IN.	LS1-11	4 BOTH ENDS
7011411-1D	1 FT. 4 IN ± 1 IN.	KY11-LB	10 ONE END
7011411-2D	2 FT. 4 IN ± 1 IN.	BA11-F/D/DIFF	10 ONE END
7011411-0H	7 IN ± .5 IN.	H790, 1, 2, 3	
7011411-1J	1 FT. 8 IN ± 1 IN.	1104/34-7A	
7011411-1L	1 FT. 10 IN ± 1 IN.	BA11-L, H777	PIN 3 ONE END
7011411-1A	1 FT. 1 IN ± 1 IN.	H787	4 BOTH ENDS
7011411-3J	3 FT. 8 IN ± 1 IN.	BA11-K, H785	
7011411-2J	2 FT. 8 IN ± 1 IN.	BA11K-H785	NO KEY
7011411-5F	5 FT. 6 IN ± 1 IN.	1160	8 ONE END
7011411-12	12 FT ± 3 IN.	KAS70	
7011411-7	7 FT ± 2 IN.	11780	

NOTES:  
 1. INSERT KEY IN PROPER CONNECTOR PIN AND BREAK OFF TAB.  
 2. FOR ITEM (2) DRAWING IS SHOWING 3M CONNECTOR.



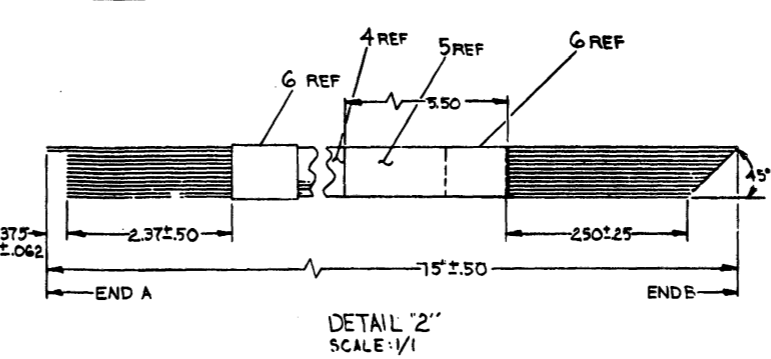
1	TIE, CABLE	9007031	5
1	LABEL, CABLE IDENT.	9009532	4
A/R	KEY	9009707	3
2	CONN. CRIMP	1211206-02	2
A/R	CABLE, 10 CONDUCT	9107747-02	1

QUANTITY & VARIATION	DESCRIPTION	DWG./PART NO.	ITEM NO.
7011411-0	UNLESS OTHERWISE SPECIFIED DIMENSIONS ARE IN INCHES		
	ANGLES 90° 30°	CLASS OF ACCURACY	NOMINAL DIMENSION RANGE INCHES
			OVER 0 TO 1.25
			OVER 1.25 TO 4.00
			OVER 4.00 TO 12.00
			OVER 12.00 TO 40.00
			OVER 40.00 TO 80.00
	SURFACE QUALITY IN	(CHECK ONE)	
		MEDIUM	±.004 ±.008 ±.012 ±.018 ±.024 ±.04
		PREFERRED	±.012 ±.018 ±.025 ±.04 ±.06 ±.1
	MICROINCHES		
	THIRD ANGLE PROJECTION	DRN M. BAUTIST 5-20-75	FIRST USED ON
	REMOVE BURRS AND BREAK SHARP CORNERS	CHK'D HEALY 6-13-75	SEE LEGEND
	DO NOT SCALE DWG	ENG. R. BARRY 6-18-75	TITLE
	MATERIAL SEE PARTS LIST	PROJ. ENG. R. BARRY 6-18-75	CABLE CONSOLE BACKPLANE
	FINISH	PROD. R. PETERSON 6-19-75	SCALE NONE
			SIZE CODE D 1A
			NUMBER 7011411-0-0
			REV. N

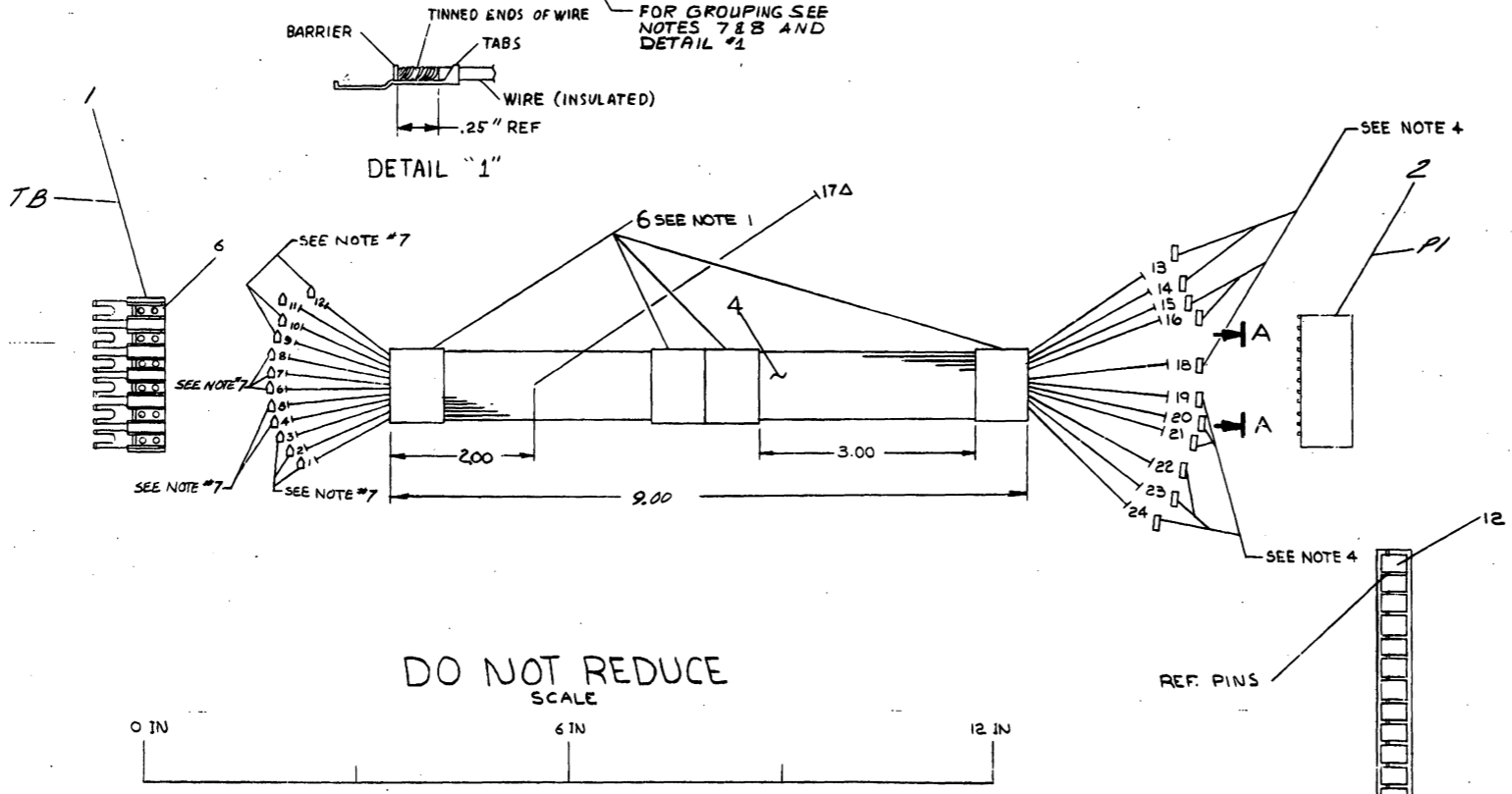
REV.	DATE	BY	CHKD.
1	5-20-75	M. BAUTIST	
2	6-13-75	HEALY	
3	6-18-75	R. BARRY	
4	6-18-75	R. BARRY	
5	6-19-75	R. PETERSON	

"THIS DRAWING AND SPECIFICATIONS HEREIN ARE THE PROPERTY OF DIGITAL EQUIPMENT CORPORATION AND SHALL NOT BE REPRODUCED OR COPIED OR USED IN WHOLE OR IN PART AS THE BASIS FOR THE MANUFACTURE OR SALE OF ITEMS WITHOUT WRITTEN PERMISSION. COPYRIGHT © 1972 DIGITAL EQUIPMENT CORPORATION"

WIRE TABLE											
ITEM NO	DESCRIPTION			FROM			TO				
	AWG	COLOR	CONNECTION	POINT	TERM	CONNECTION	POINT	TERM			
4	18	RED	TB-2	1	TWIST TOGETHER TIN & SOLDER	PI-1	24	3			
		BRN		2		PI-2	23	4			
		BLK		3		PI-3	22	5			
		WHT	TB-3	4		PI-4	21	6			
		GRY		5		PI-5	20	7			
		VIO		6		PI-6	19	8			
		BLU	TB-4	7		PI-7	18	9			
		GRN		8			17	10			
		YEL		9		PI-9	16	11			
		GRN	TB-5	10		PI-10	15	12			
		GRN		11		PI-11	14	13			
		RED		12		PI-12	13	14			



- NOTES:
- CUT LENGTH OF ITEM 4 APPROXIMATELY 18" LONG. WRAP ONE WRAP OF TAPE, ITEM 8 IN FOUR PLACES AS SHOWN. DETAIL 2
  - PEEL WIRES 13 THROUGH 24 APART DOWN TO TAPE.
  - PEEL WIRES 1 THROUGH 12 APART IN GROUPS OF 1, 2, OR 3, AS SHOWN DOWN TO TAPE.
  - FASTEN TO NAIL BOARD AND CUT TO PROPER LENGTHS. WIRES 13 THROUGH 24 SHOULD BE CUT AT 45° ANGLE (SEE DETAIL 2)
  - STRIP AND CRIMP ITEM 3 TO WIRES 13 THROUGH 24 EXCEPT #17.
  - PEEL WIRE #17 BACK TO 2" FROM TAPE. CUT TO PROPER LENGTH. (APPROXIMATELY 6" FROM BREAK OUT POINT) STRIP 1/4" BACK AND CRIMP ITEM 2
  - STRIP ENDS OF WIRES 1 THROUGH 12 1/4" TO 3/8" BACK AND TWIST ENDS OF INDICATED GROUPS TOGETHER. (1, 2 & 3; 4 & 5; 6, 7 & 8; 9, 10 & 12) TIN ENDS.
  - PLACE TINNED ENDS ON FINISHING STRIP. (ITEM 1) TO BARRIER (SEE DETAIL 1) AND SOLDER. (SEE WIRE TABLE FOR CONNECTIONS.) BEND THIS OVER WIRE TO PROVIDE GOOD STRAIN RELIEF. INSULATION SHOULD BE UNDER THIS.
  - PLACE WIRES 13 THROUGH 24 IN ITEM 2 AS INDICATED IN WIRE TABLE AND REFERENCING VIEW A.
  - CUT AND ASSEMBLE ITEM 5 TO CABLE AS SHOWN IN DETAIL 2
  - BEND CABLE AT 6.25 ± .25 FROM OUTER EDGE OF P1 CONNECTOR. BEND TO BE OPPOSITE FOAM TAPE (ITEM 5) SIDE OF CABLE.
  - PART NUMBER 12-12203-00 IS AN ALTERNATE PART FOR ITEM 3, P/N 12-12203-01.
  - PART NUMBER 17-00057-00 IS AN ALTERNATE PART FOR ITEM 4, P/N 17-00126-00.



DO NOT REDUCE SCALE FOR MANUFACTURING PURPOSES ONLY

1	LABEL	9009532	9
1	TIE WRAP	9007031	8
1	TERM. RING TONGUE	9007929-00	7
1	WR TAPE, ELECTRIC, BLK PLASTIC	9009507	6
1	WR TAPE, ADHESIVE BACK	9008379-00	5
19	AW CABLE, 12 WIRE	1700126-00	4
1	TERM. CRIMP	1212203-01	3
1	CONN, MSG. 12 PIN	1212620-01	2
1	CONN STRIP 6 LUG	1212698-00	1

DESCRIPTION	QTY	UNIT	ITEM NO.
UNLESS OTHERWISE SPECIFIED DIMENSIONS ARE IN INCHES			
ANGLES			
SURFACE QUALITY			
QUANTITY & VARIATION			
THIRD ANGLE PROJECTION			
REMOVE BURRS AND BREAK SHARP CORNERS			
DO NOT SCALE DWG			
MATERIAL SEE PARTS LIST			
FINISH			

DRN: [Signature] 7/5/72  
 CHKD: [Signature] 11/1/72  
 ENGR: [Signature] 11/1/72  
 PROJ. ENG: [Signature] 11/1/72  
 PROD. [Signature] 11/1/72

FIRST USED ON: 11/03

TITLE: CABLE, DC OUTPUT

SCALE: 1/1

SHEET 1 OF 1

REV.	BY	DATE	DESCRIPTION
1	HT80	00005	A
2	BIRU	20 Dec 76	B
3	HT80	00006	B
4	F. KEARNS	4 Mar 77	C
5	J. KEARNS	4 Mar 77	C
6	J. KEARNS	16 June 77	C
7	D. BENNETT	27 Jun 77	D
8	J. KEARNS	27 Jun 77	D
9	M. QUARPI	27 Jun 77	E
10	M. QUARPI	27 Jun 77	E
11	M. QUARPI	27 Jun 77	E

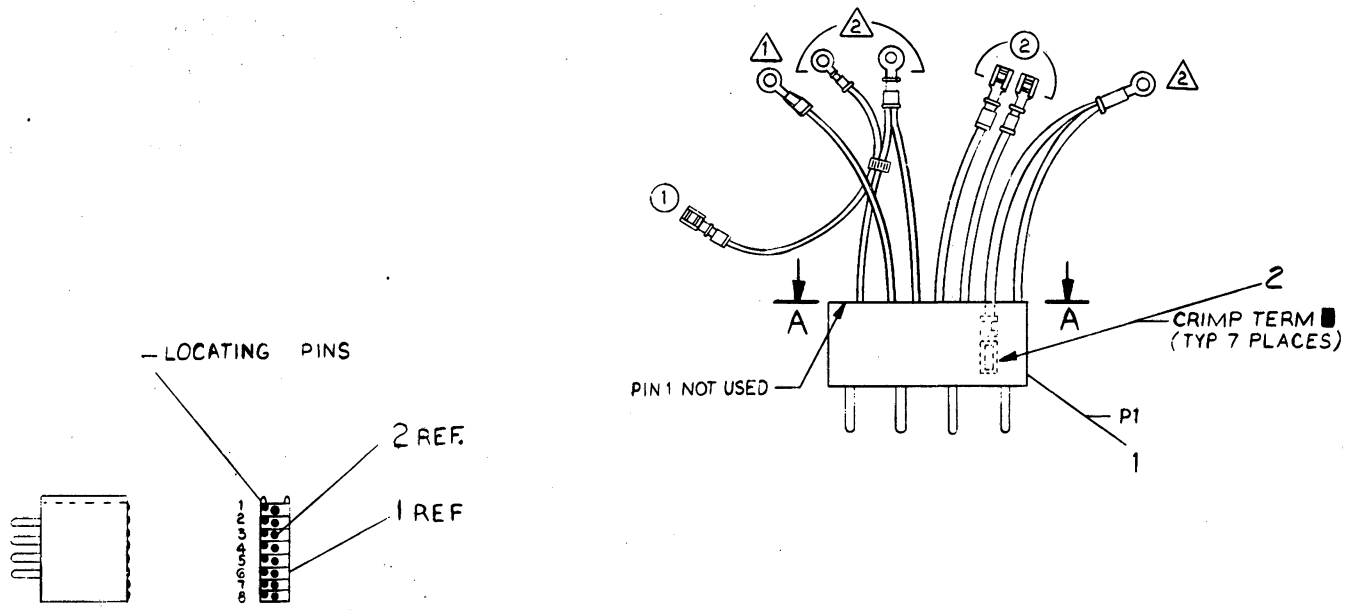
"THIS DRAWING AND SPECIFICATIONS, HEREIN, ARE THE PROPERTY OF DIGITAL EQUIPMENT CORPORATION AND SHALL NOT BE REPRODUCED OR COPIED OR USED IN WHOLE OR IN PART AS THE BASIS FOR THE MANUFACTURE OR SALE OF ITEMS WITHOUT WRITTEN PERMISSION. COPYRIGHT © 1975, DIGITAL EQUIPMENT CORPORATION"

WIRE TABLE										
ITEM NO.	DESCRIPTION			FROM			TO			WIRE LENGTH
	AWG	COLOR	POINT	CONNECTION	WITH	POINT	CONNECTION	WITH		
3	18	YEL		P1-6	ITEM*2			ITEM*11	3.0 IN	
3				P1-5				ITEM*11	3.0 IN	
4		BLK		P1-3				ITEM*10	4.0 IN	
4		BLK		P1-8				ITEM*8	4.0 IN	
4		BLK		P1-7				ITEM*8	4.0 IN	
5		RED		P1-4				ITEM*8	3.5 IN	
5	18	RED		P1-2	ITEM*2			ITEM*8	3.5 IN	
6	14	RED			ITEM*7			ITEM*8	3.15 IN	

NOTES:  
1. MAKE ALL CONNECTIONS USING WIRE TABLE AND PRECUT LENGTHS NOTED THERE.

SEE NOTE \*1

SEE DETAIL "A" FOR P-1 PIN LOCATIONS



VIEW A-A  
SCALE: NONE  
(P1, ITEM\*1)

QTY	DESCRIPTION	DWG. PART NO.	ITEM NO.
1	LABEL, IDENTIFICATION	9009532	2
2	TERM, QUICK CONN, (RED)	3007370	11
1	TERMINAL RING RED	3007930-00	10
2	TIE, CABLE	3007031	9
3	TERMINAL RING BLU	3007329-00	9
1	FASTON TAB BLU	3007339	7
A/R	WIRE *14 AWG (RED)	9107370-22	3
A/R	WIRE *18 AWG (RED)	9107360-22	5
A/R	WIRE *18 AWG (BLK)	9107360-00	4
A/R	WIRE *18 AWG (YEL)	9107360-44	3
7	TERMINAL CRIMP	1212203-00	2
1	CONN, 45G 8 PIN	1212220-00	1

SEE WIRE CHART FOR WIRE LENGTHS

REV.	CHANGE NO.	REV.
1	701658-00001	A
2	701658-00002	B

THIRD ANGLE PROJECTION	DRN. G. CRAYTON 7/2/75	FIRST USED ON 11/02
REMOVE BURRS AND BREAK SHARP CORNERS	CHK'D D. HEALY 2/19/75	
DO NOT SCALE DWG	ENG. R. MARTEL 3/9/75	TITLE HARNESS AC INPUT
MATERIAL SEE PARTS LIST	PROJ. ENGR. W. TEL 3/9/75	SIZE CODE D
FINISH	NEXT HIGHER ASBY.	NUMBER 701658-0-0
	SCALE 1/1	REV. B



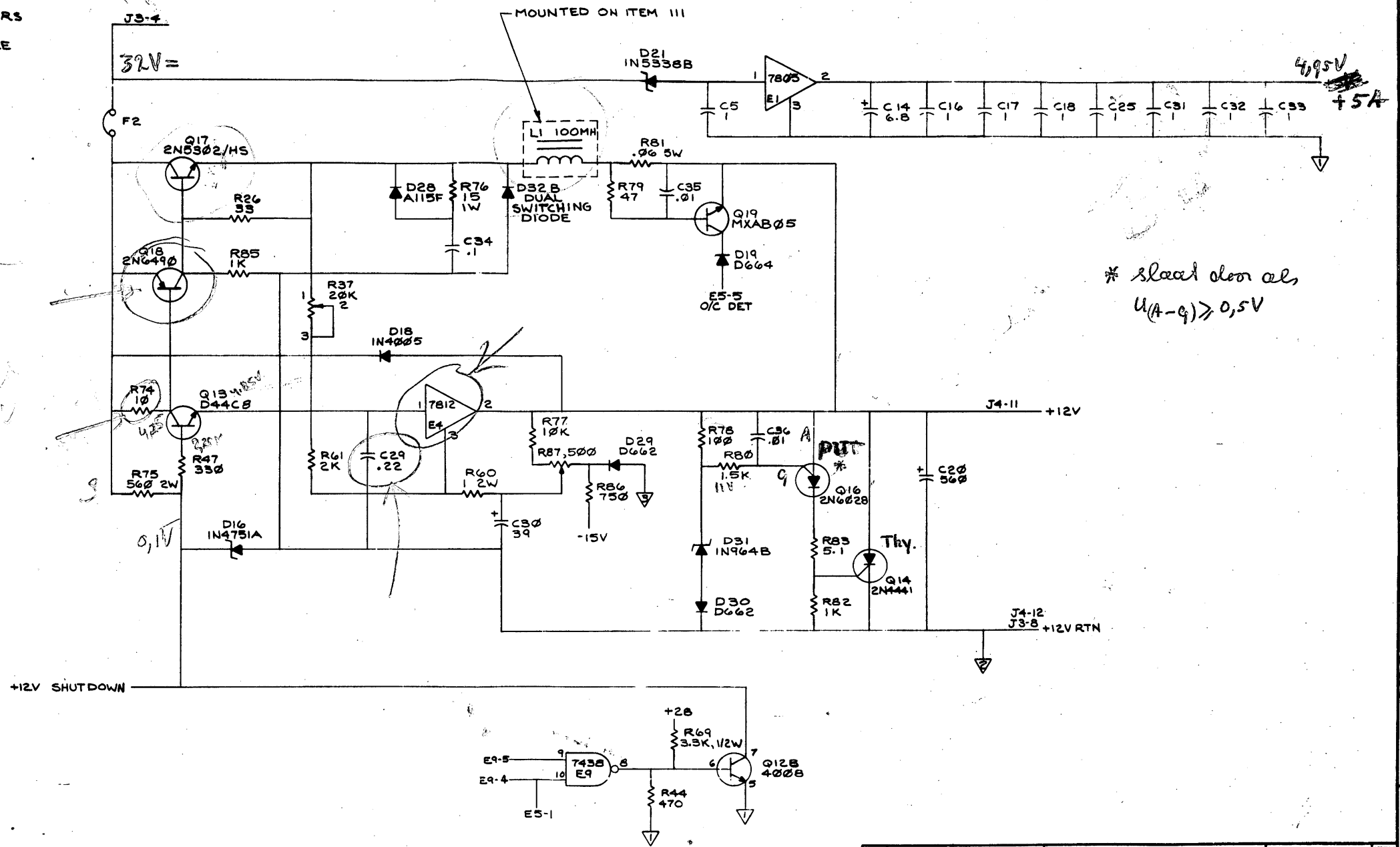
THIS DRAWING AND SPECIFICATIONS HEREBY ARE THE PROPERTY OF DIGITAL EQUIPMENT CORPORATION AND SHALL NOT BE REPRODUCED OR TRANSMITTED IN ANY FORM OR BY ANY MEANS, ELECTRONIC OR MECHANICAL, INCLUDING PHOTOCOPYING, RECORDING, OR BY ANY INFORMATION STORAGE AND RETRIEVAL SYSTEM, WITHOUT THE WRITTEN PERMISSION OF DIGITAL EQUIPMENT CORPORATION.

**NOTES:**

- UNLESS OTHERWISE SPECIFIED ALL RESISTORS ARE 1/4 W, 5% ; ALL CAPACITORS ARE IN  $\mu F$ .
- COMPONENTS SHOWN IN DASHED LINES ARE EXTERNAL TO THE P.C. BOARD.

*Gen. Elect  
D44C8  
Q13*

*in defect*



*\* bleed down at  
U(A-G) > 0.5V*

IC TYPE	GND	+5V	-15V	+26V
LM 339	E5	12		3
LM 393	E2	8	4	

GND AND 5V ARE USUALLY PIN 7 AND 14 RESPECTIVELY EXCEPTIONS ARE STATED ABOVE

IC PIN LOCATIONS

HIGHEST REF. DES.

C39	D36	E10	Q19	R40	T1	L2
-----	-----	-----	-----	-----	----	----

REF. DES. DELETED

C3	C19	C28	C38
----	-----	-----	-----

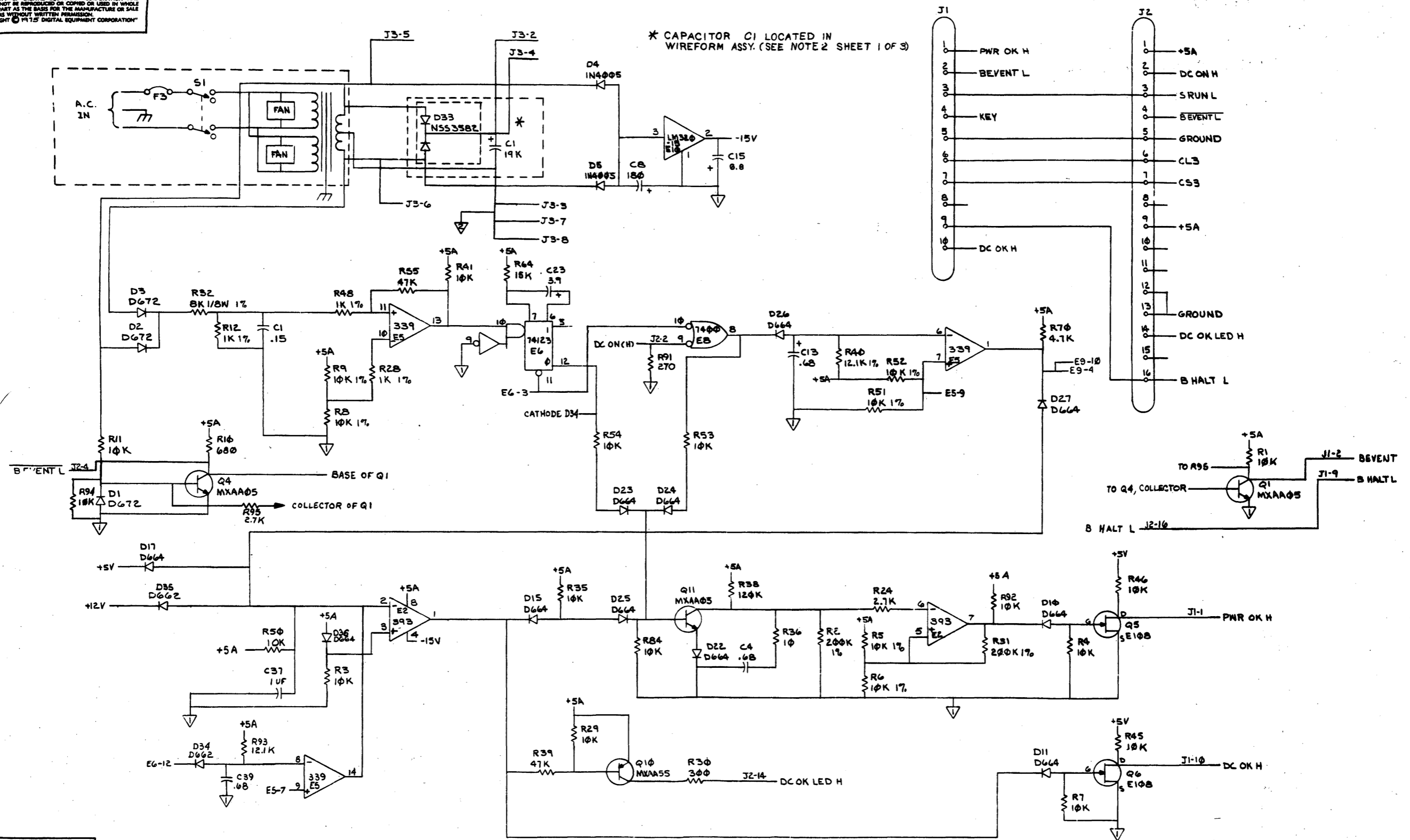
R42, R47, R49, R56, R57

DESIGNED BY: M. QUADRI  
CHECKED BY: B. G. HUNT  
DATE: 7-22-77  
REVISED & REDRAWN BY: F. KEARNS  
DATE: 7-22-77  
REVISED BY: F. KEARNS  
DATE: 7-22-77  
REVISED BY: F. KEARNS  
DATE: 7-22-77

FIRST USED ON OPTION MODEL		QTY	REF. DESIGNATION	DESCRIPTION	PART NO.	ITEM NO.
ETCH BOARD REV. D						
PARTS LIST						
TITLE: H780 POWER SUPPLY						
D-AD-7011569-0-0						
SEMICONDUCTOR CONVERSION CHART						
D-AD-7011569-0-0						
SCALE: 1						
SHEET 1 OF 3						

"THIS DRAWING AND SPECIFICATIONS HEREIN ARE THE PROPERTY OF DIGITAL EQUIPMENT CORPORATION AND SHALL NOT BE REPRODUCED OR COPIED OR USED IN WHOLE OR IN PART AS THE BASIS FOR THE MANUFACTURE OR SALE OF ITEMS WITHOUT WRITTEN PERMISSION. COPYRIGHT © 1975 DIGITAL EQUIPMENT CORPORATION"

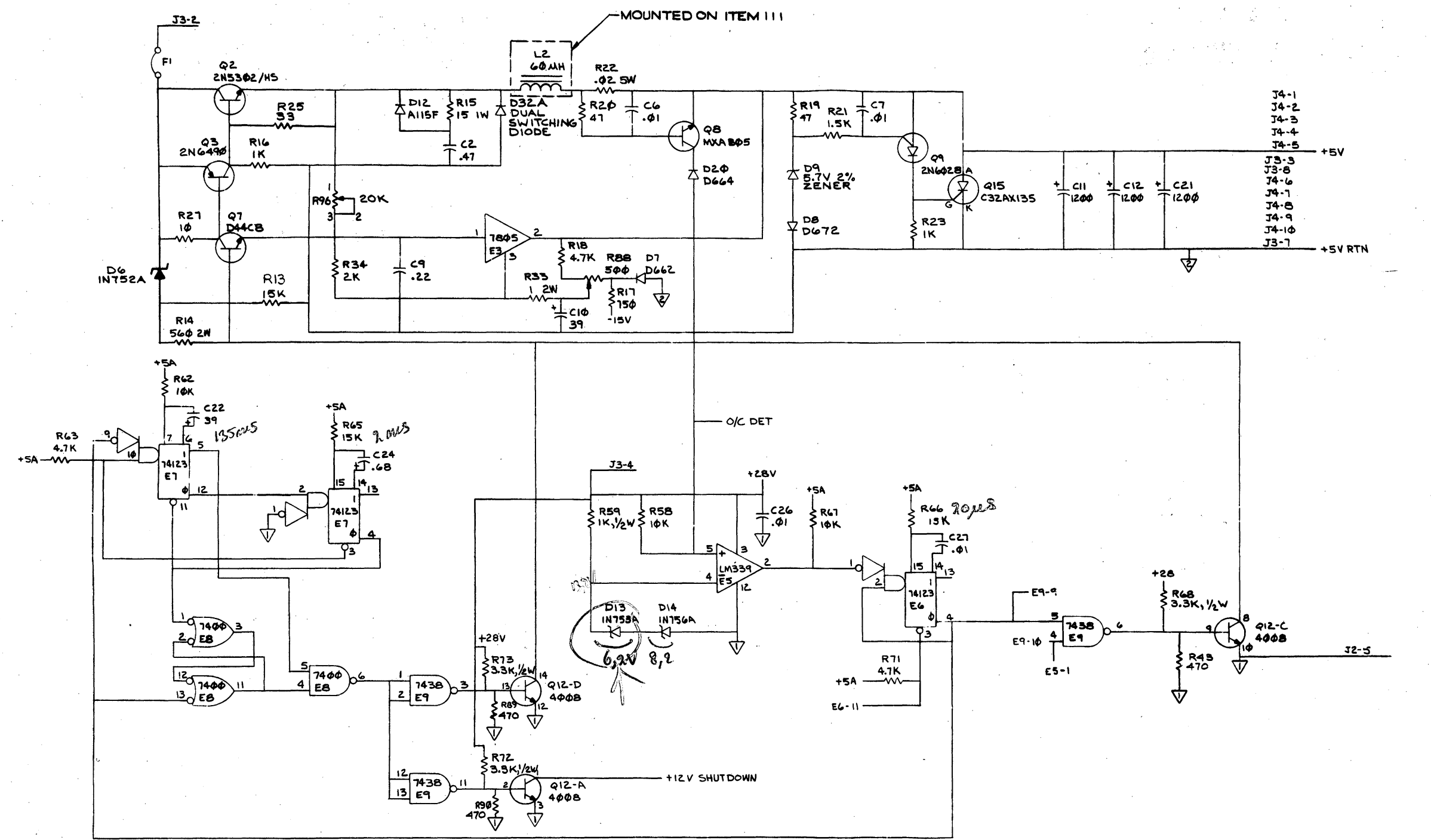
\* CAPACITOR C1 LOCATED IN WIREFORM ASSY. (SEE NOTE 2 SHEET 1 OF 3)



REVISIONS		
CHK	CHANGE NO.	REV.

TITLE	H780 POWER SUPPLY	SIZE CODE	DCS	NUMBER	5411776-0-1	REV.	N
SCALE		SHEET	2	OF	3	DIST.	

"THIS DRAWING AND SPECIFICATIONS HEREIN ARE THE PROPERTY OF DIGITAL EQUIPMENT CORPORATION AND SHALL NOT BE REPRODUCED OR COPIED OR USED IN WHOLE OR IN PART AS THE BASIS FOR THE MANUFACTURE OR SALE OF ITEMS WITHOUT WRITTEN PERMISSION. COPYRIGHT © 1971, DIGITAL EQUIPMENT CORPORATION"



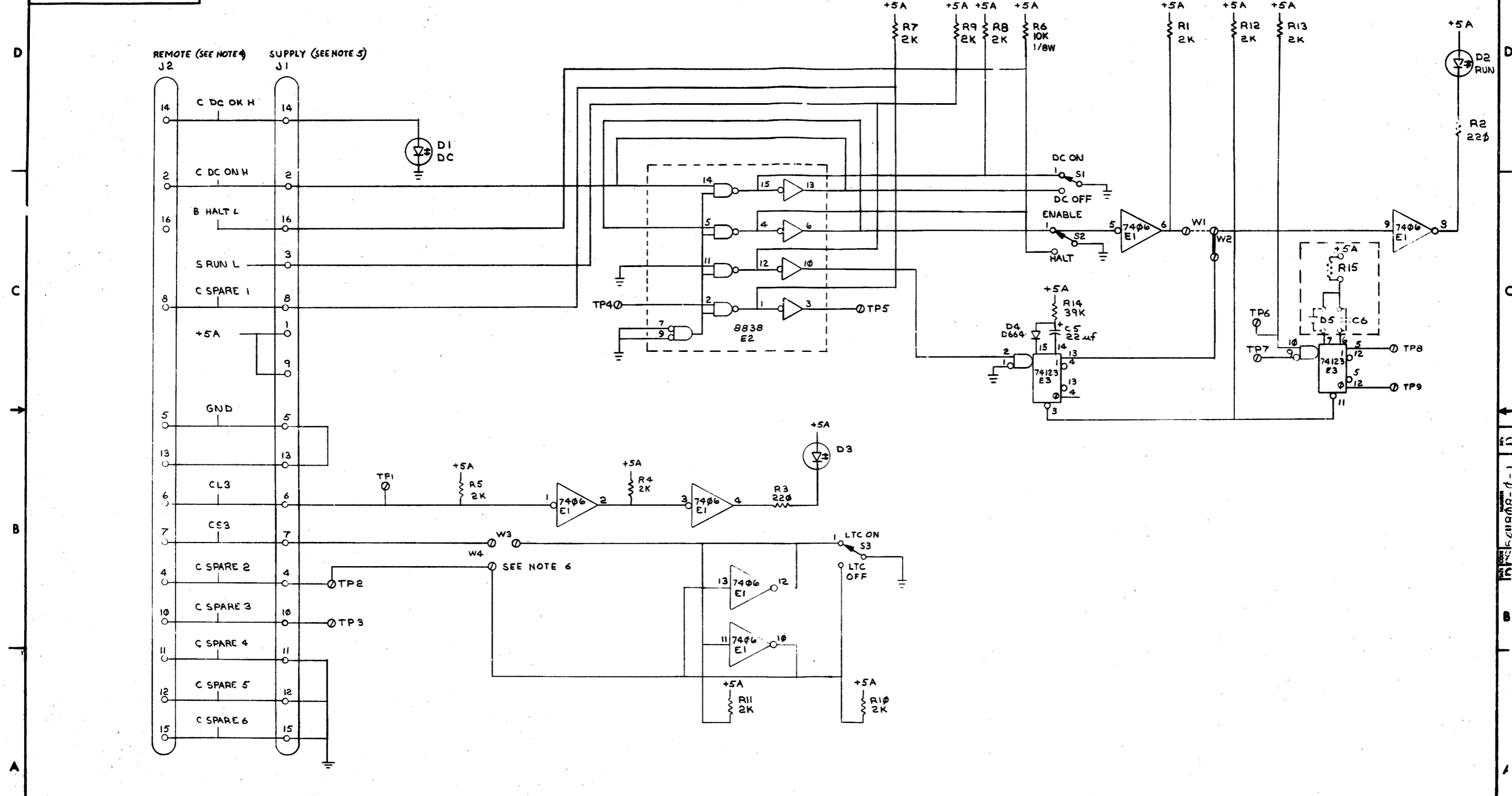
- J4-1
- J4-2
- J4-3
- J4-4
- J4-5
- +5V
- J3-3
- J3-6
- J4-6
- J4-7
- J4-8
- J4-9
- J4-10
- J3-7
- +5V RTN

REVISIONS		
CHK	CHANGE NO.	REV.

TITLE	H780 POWER SUPPLY	SIZE CODE	DCS	NUMBER	5411776-0-1	REV.	N1
SCALE		SHEET	3 OF 3	DWT.			



THIS DRAWING AND SPECIFICATIONS HEREIN ARE THE PROPERTY OF DIGITAL EQUIPMENT CORPORATION AND SHALL NOT BE REPRODUCED OR COPIED OR USED IN WHOLE OR IN PART AS THE BASIS FOR THE MANUFACTURE OR SALE OF ITEMS WITHOUT WRITTEN PERMISSION. COPYRIGHT © 1975 DIGITAL EQUIPMENT CORPORATION



REVISIONS		
CHK	CHANGE NO.	REV.

